

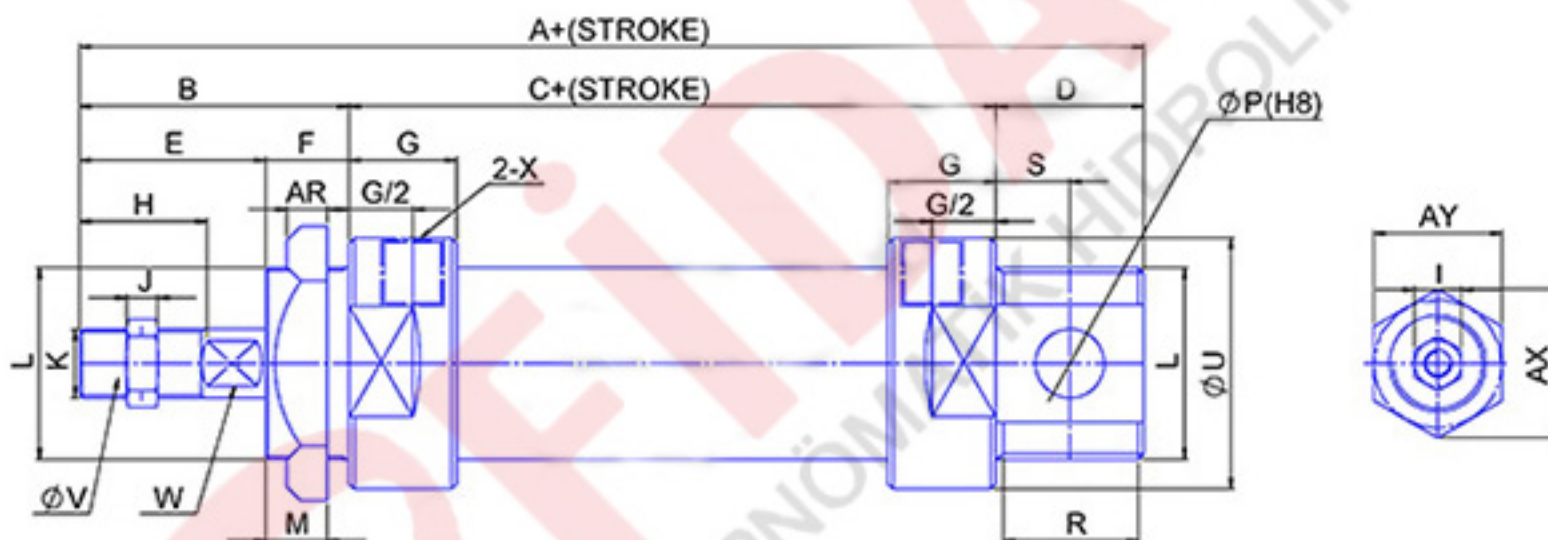
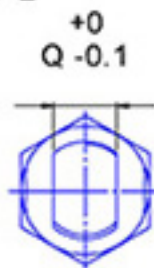
MA-L Series Aluminum alloy Mini Cylinder

Stroke

Bore/Symbol	Standart Stroke	Max.Stroke	Permissible Stroke
16	25 50 75 100 125 150 200 250	300	500
20	25 50 75 100 125 150 200 250	500	650
25	25 50 75 100 125 150 200 250	500	650
32	25 50 100 160 200 250	500	650
40	25 50 100 160 200 250	500	650

Overall Dimensions

MA-L



Dimension Sheet

Bore/Symbol	A	B	C	D	D1	E	F	G	H	I	J	K
16	112	38	56	17	16	22	17	12,5	16	10	5	M6x1
20	128	45	63	20	12	28	20	15	20	12	6	M8x1.25
25	138	50	66	22	14	28	22	15	22	17	6	M10x1.25
32	150	53	69	27	14	31	22	16	22	17	6	M10x1.25
40	179	60	92	27	14	33	27	22	24	19	7	M12x1.25

Bore/Symbol	L	M	P	Q	R	S	U	V	W	X	AR	AX	AY
16	M16x1.5	14	6	12	15	9	22	6	5	M5	6	25	22
20	M22x1.5	10	8	16	18	12	27	8	6	G1/8"	7	33	29
25	M22x1.5	12	8	16	20	12	32	10	8	G1/8"	7	33	29
32	M24x2.0	12	10	16	25	15	38	12	10	G1/8"	8	37	32
40	M30x2.0	12	12	20	25	15	49	16	14	G1/4"	10	46	41