

# ADVU Series Cylinder

## Compact Cylinder



### Specification:

Type	12 1 16 1 20 1 25 1 32 1 40 1 50 1 63 1 80 1 100 1 125
Motion	Double acting
Series	ADVU, ADVUD, ADVUJ, ADVUA
Fluid	Compressed air
Working pressure (MPa)	0.1-1
Opening speed (mm/sec)	50-500
Ambient temperature (°C)	-10-70
Cushion	Bumper
Port size (G)	M5 1 1/8" 1 1/4" 1 3/8"

### How to order:

**ADVU 50 × 40 S**

**Specification**

- ADVU: Standard Cylinder
- ADVUD: Double axial Cylinder
- ADVUJ: Stroke adjustable Cylinder

**Bore**

∅20	∅63
∅25	∅80
∅32	∅100
∅40	∅125
∅50	

**Magnet code**

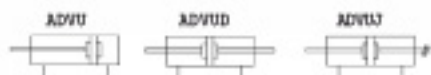
- Swth magnet + jic magnet swth
- Swth magnet + jic magnet swth
- Swth magnet + jic magnet swth
- Swth magnet + jic magnet swth
- Swth magnet + jic magnet swth

**Thread code**

- Dir: Female thread
- A Male thread

**Stroke**

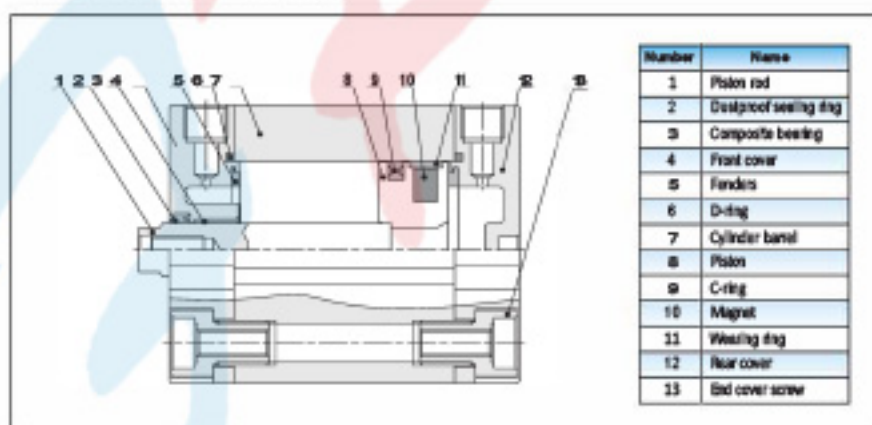
### Symbol:



### Product feature:

1. The cylinder body is connected with the front and rear covers threads, with good strength and convenient maintenance.
2. After inner diameter' s finishing machining, the cylinder body is hard oxidation treated with good wear durability.
3. The piston seal adopts special two-way sealing structure with compact size and oil storing function.
4. The compact structure helps to save the installation space.
5. With magnetic induction switch tank surrounding the cylinder body, it' s convenient to install the induction switch.
6. Various standard cylinder types are optional

### Inner structure drawing:

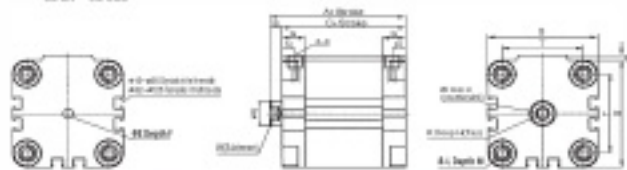


# ADVU Series Cylinder

## Compact Cylinder

### Dimension(mm):

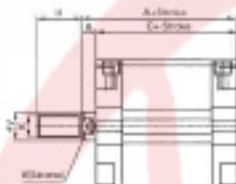
#### Standard Dimensions CD0-CD25



Size/Symbol	A	B	C	E	F	G	H	I	K	L
12	42.5	4.5	38	6	4	11.5	6	3.3	M6	M6
16	42.5	4.5	38	6	4	11.5	8	4.5	M6	M6
20	42.5	4.5	38	6	4	11.5	12	5.5	M6	M6
25	45	5.5	39.5	6	4	11.5	12	5.5	M6	M6
32	50.5	6	44.5	6	4	14	14	6.5	M6	M6
40	52	6.5	45.5	6	4	14	14	6.5	M6	M6
50	53	7.5	45.5	6	4	14	16	8.5	M6	M6
63	57.5	7.5	50	8	4	16	16	8.5	M8	M10
80	64	8	56	8	4	16	20	10.5	M10	M10
100	76.5	10	66.5	8	4	19	24	12.5	M12	M10
125	92	11	81	8	4	20	24	12.5	M12	M10

Size/Symbol	M	N	O	R	S	T	U	V	W
12	30	7	M6	1	18	28.5	1.5	6	5
16	30	7	M6	1	18	28.5	1.5	8	6
20	18.5	7	M6	1.5	16	22	2	30	8
25	18.5	7	M6	1.5	40	26	2	30	8
32	21.5	8	PT1/8"	2	50	32	2.6	12	10
40	21.5	8	PT1/8"	2.5	60	42	2.6	12	10
50	22	8	PT1/8"	3	68	50	3.3	16	13
63	24.5	8	PT1/8"	4	87	62	3.3	16	13
80	27.5	8.5	PT1/8"	4	107	82	4.7	20	17
100	32.5	10.5	PT1/4"	5	128	103	6.1	25	22
125	32.5	10.5	PT1/4"	-	134	110	6.1	25	22

#### ADVUA Dimensions CD0-CD25



Size/Symbol	A	B	C	H	K	V	W
12	42.5	4.5	38	36	M6x1	6	5
16	42.5	4.5	38	20	M8x1.25	8	6
20	42.5	4.5	38	22	M10x1.25	30	8
25	45	5.5	39.5	22	M10x1.25	30	8
32	50.5	6	44.5	22	M10x1.25	12	10
40	52	6.5	45.5	22	M10x1.25	12	10
50	53	7.5	45.5	34	M12x1.25	16	13
63	57.5	7.5	50	34	M12x1.25	16	13
80	64	8	56	32	M16x1.5	20	17
100	76.5	10	66.5	40	M20x1.5	25	22
125	92	11	81	40	M20x1.5	25	22

#### ADVUD Dimensions CD0-CD25



Size/Symbol	A	B	C	G	H	I	K	L
12	47	4.5	38	11.5	8	3.3	M6	M6
16	47	4.5	38	11.5	10	4.5	M6	M6
20	47	4.5	38	11.5	12	5.5	M6	M6
25	50.5	5.5	39.5	11.5	12	5.5	M6	M6
32	56.5	6	44.5	14	14	6.5	M6	M6
40	58.5	6.5	45.5	14	14	6.5	M6	M6
50	60.5	7.5	45.5	14	16	8.5	M6	M6
63	66	7.5	50	16	16	8.5	M8	M10
80	72	8	56	16	20	10.5	M10	M10
100	86.5	10	66.5	19	24	12.5	M12	M10
125	103	11	81	20	24	12.5	M12	M10

Size/Symbol	M	N	O	R	S	T	U	V	W
12	18.5	7	M6	1	19	28	1.5	6	5
16	18.5	7	M6	1	19	28	1.5	8	6
20	18.5	7	M6	1.5	16	22	2	30	8
25	18.5	7	M6	1.5	40	26	2	30	8
32	21.5	8	PT1/8"	2	50	32	2.6	12	10
40	21.5	8	PT1/8"	2.5	60	42	2.6	12	10
50	22	8	PT1/8"	3	68	50	3.3	16	13
63	24.5	8	PT1/8"	4	87	62	3.3	16	13
80	27.5	8.5	PT1/8"	4	107	82	4.7	20	17
100	32.5	10.5	PT1/4"	5	128	103	6.1	25	22
125	32.5	10.5	PT1/4"	-	134	110	6.1	25	22

#### ADVUJ Dimensions CD0-CD25



Size/Symbol	A	B	C	G	H	I	K	L	M
12	63.5	4.5	38	11.5	8	3.3	M6	M6	18.5
16	67.5	4.5	38	11.5	10	4.5	M6	M6	18.5
20	69.5	4.5	38	11.5	12	5.5	M6	M6	18.5
25	72	5.5	39.5	11.5	12	5.5	M6	M6	18.5
32	77.5	6	44.5	14	14	6.5	M6	M6	21.5
40	79	6.5	45.5	14	14	6.5	M6	M6	21.5
50	81	7.5	45.5	14	16	8.5	M6	M6	22
63	85.5	7.5	50	16	16	8.5	M8	M10	24.5
80	96	8	56	16	20	10.5	M10	M10	27.5
100	115.5	10	66.5	19	24	12.5	M12	M10	32.5
125	131	11	81	20	24	12.5	M12	M10	32.5

Size/Symbol	N	O	R	S	T	U	V	W	Z
12	7	M6	1	19	28	1.5	6	5	16
16	7	M6	1	19	28	1.5	8	6	16
20	7	M6	1.5	16	22	2	30	8	21
25	7	M6	1.5	40	26	2	30	8	21
32	8	PT1/8"	2	50	32	2.6	12	10	21
40	8	PT1/8"	2.5	60	42	2.6	12	10	21
50	8	PT1/8"	3	68	50	3.3	16	13	21
63	8	PT1/8"	4	87	62	3.3	16	13	21
80	8.5	PT1/8"	4	107	82	4.7	20	17	20
100	10.5	PT1/4"	5	128	103	6.1	25	22	20
125	10.5	PT1/4"	-	134	110	6.1	25	22	20

ADVU