

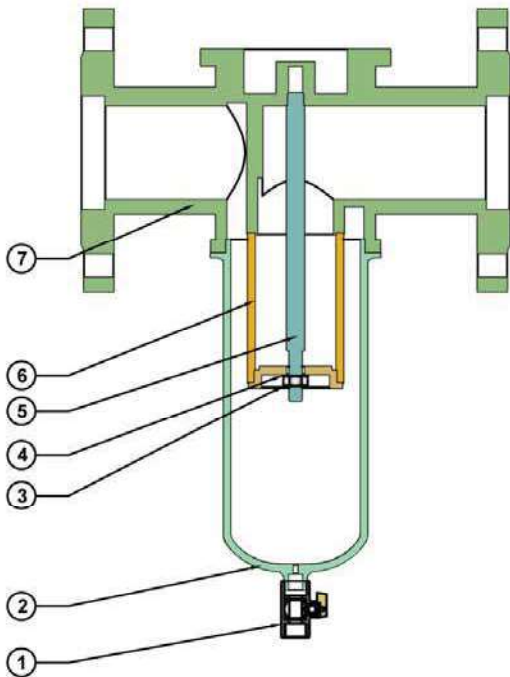
Air Filter

Features

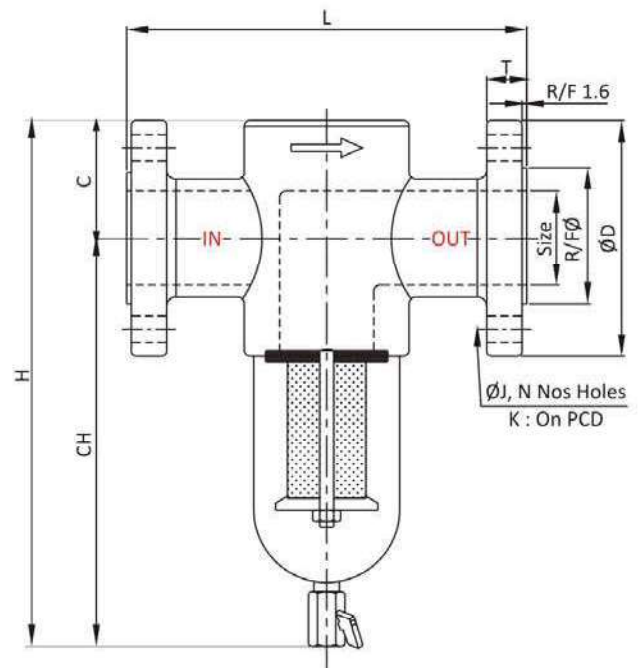
- ▶▶ Heavy Duty Design
- ▶▶ Precise Regulating Lubrication
- ▶▶ Simple to Maintenance
- ▶▶ Easy to Install

Technical Specification

Model	HFF - 65	HFF - 80	HFF - 100
Size	2.1/2"	3"	4"
Pressure	12 Kg/cm ²		
Temperature	50 °C (max.)		
Seals	NBR		
Media	Compressed air		



No.	Part Name	Material
1	Manual Drain Valve	Brass
2	Bowl	Steel Fabricated
3	Nut	Steel Plated
4	Washer	Aluminum
5	Stud	Steel Plated
6	Filter Element	Poly Porous (25 Micron)
7	Body	I. C. WCB



Dimensions :

(All Dimensions are in mm)

MODEL	SIZE	L	C	CH	ØR/F	ØD	T	PCD	ØJ	N	H	Weight (Kg.) Approx.
HFF - 65	2.1/2"	335	60	365	104.8	180	17.9	139.7	19.05	4	425	21.300
HFF - 80	3"	335	60	365	127	190	19.5	152.4	19.05	4	425	22.100
HFF - 100	4"	335	60	365	157.2	230	24.3	190.5	19.05	8	425	26.500

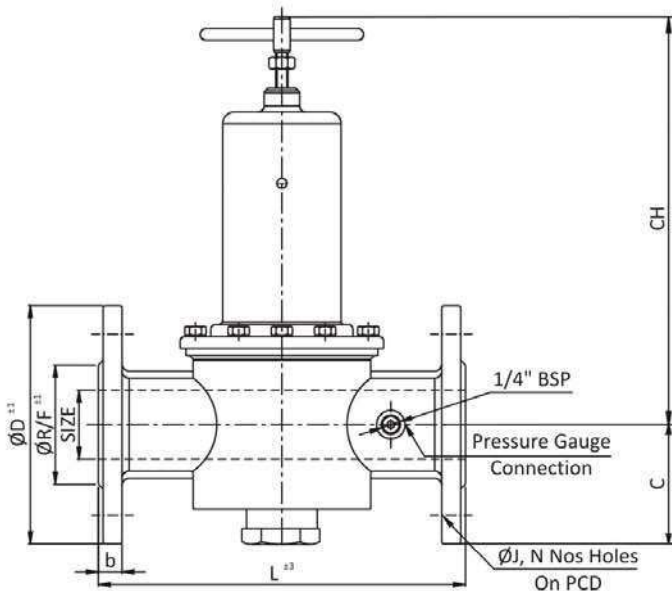
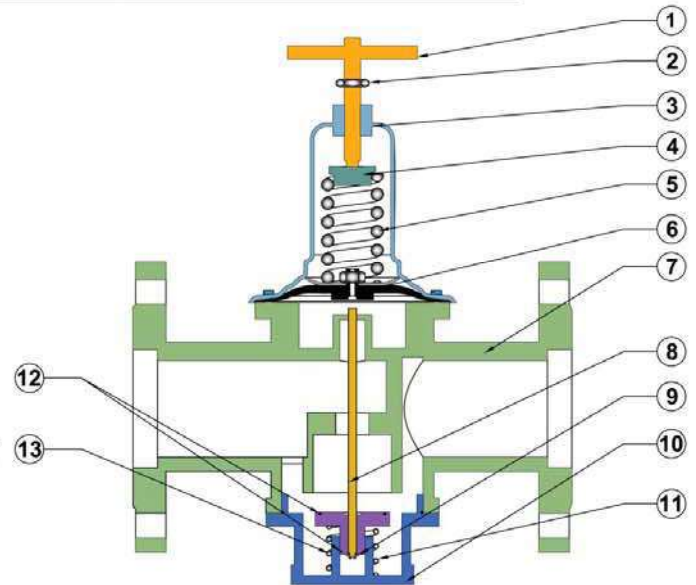


Features

- ▶▶ High Flow Design
- ▶▶ Heavy Duty & Durable Design
- ▶▶ Comfortable to all industrial used.
- ▶▶ Turn "T" Type Key Clock Wise to Increase Pressure
- ▶▶ Easy to Install

Technical Specification

Model	HFR - 65	HFR - 80	HFR - 100
Size	2.1/2"	3"	4"
Pressure	12 Kg/cm ²		
Temperature	50 °C (max.)		
Media	Compressed air		
End Connection	Flanged End 150#		



No.	Part Name	Material
1	Adjusting Stud	Steel Plated
2	Check Nut	Brass
3	Bonnet	Steel Fabricated
4	Spring Guide	Aluminum
5	Top Spring	Spring Steel
6	Diaphragm	Imported Plastic
7	Body	I. C. WCB
8	Plunger	Aluminum with Rubber Moulded
9	Plunger Lock Pin	M. S.
10	Bottom Plug	I. C. WCB
11	'O' Ring	NBR
12	'O' Ring	NBR
13	Plunger Spring	Spring Steel

Dimensions :

(All Dimensions are in mm)

MODEL	SIZE	L	C	CH	ØR/F	ØD	b	PCD	ØJ	N	H	Weight (Kg.) Approx.
HFR - 65	2.1/2"	335	137	290	104.8	180	17.9	139.7	19.05	4	427	21.300
HFR - 80	3"	335	137	290	127	190	19.5	152.4	19.05	4	427	22.100
HFR - 100	4"	335	137	290	157.2	230	24.3	190.5	19.05	8	427	26.500

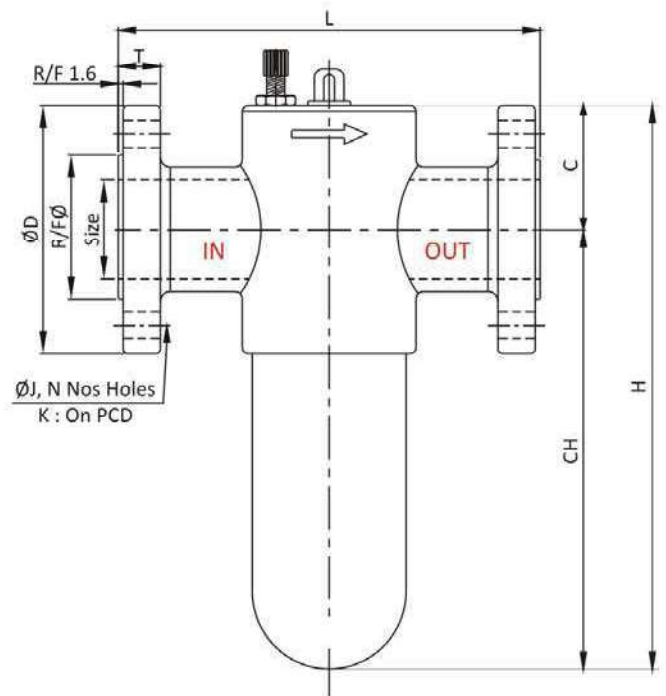
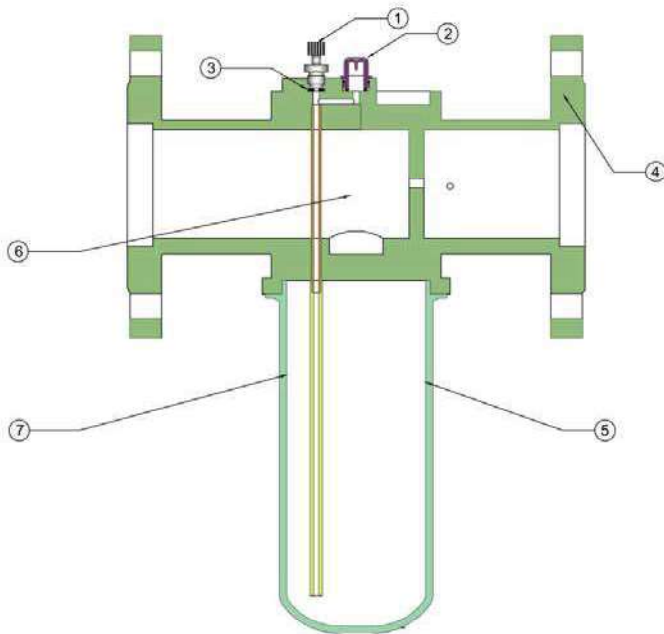
Air Lubricator

Features

- ▶▶ Heavy Duty Design
- ▶▶ Precise Regulating Lubrication
- ▶▶ Simple to Maintenance
- ▶▶ Easy to Installation
- ▶▶ Type of Oil to be used ISO VG32

Technical Specification

Model	HFL - 65	HFL - 80	HFL - 100
Size	2.1/2"	3"	4"
Pressure	12 Kg/cm ² (max.)		
Temperature	50 °C (max.)		
Oil Indicator	Poly Carbonate		
Recommended Oil	ISO VG 32		
Ends	Flanged 150#		
Media	Compressed air		



No.	Part Name	Material
1	Oil Adjusting Assem.	Brass
2	Oil Indicator Dom Set	Poly Carbonate
3	Rubber Sheet	NBR
4	Body	I.C. WCB
5	Bowl	Steel Fabricated
6	Pipe	Steel Plated
7	Oil Pipe	P. U.

Dimensions :

(All Dimensions are in mm)

MODEL	SIZE	L	C	CH	ØR/F	ØD	b	PCD	ØJ	N	H	Weight (Kg.) Approx.
HFL - 65	2.1/2"	335	85	335	104.8	180	17.9	139.7	19.05	4	420	22.300
HFL - 80	3"	335	85	335	127	190	19.5	152.4	19.05	4	420	23.100
HFL - 100	4"	335	85	335	157.2	230	24.3	190.5	19.05	8	420	27.500

Air Combination (Filter + Regulator)

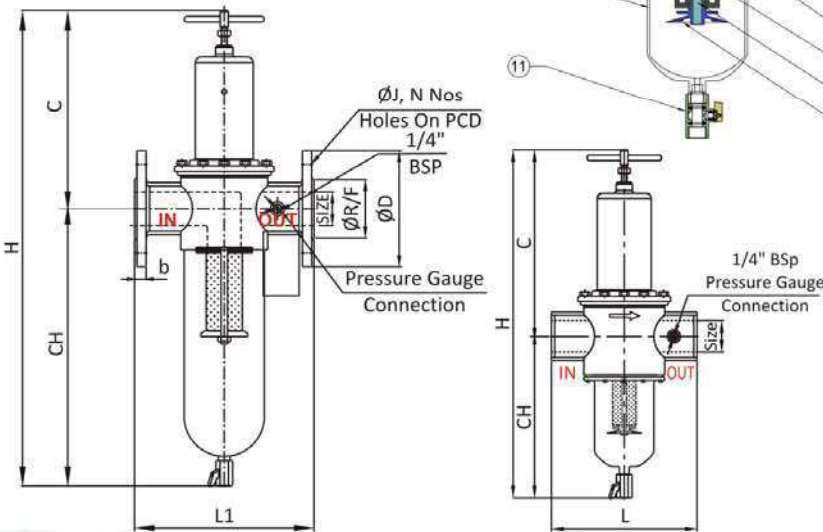
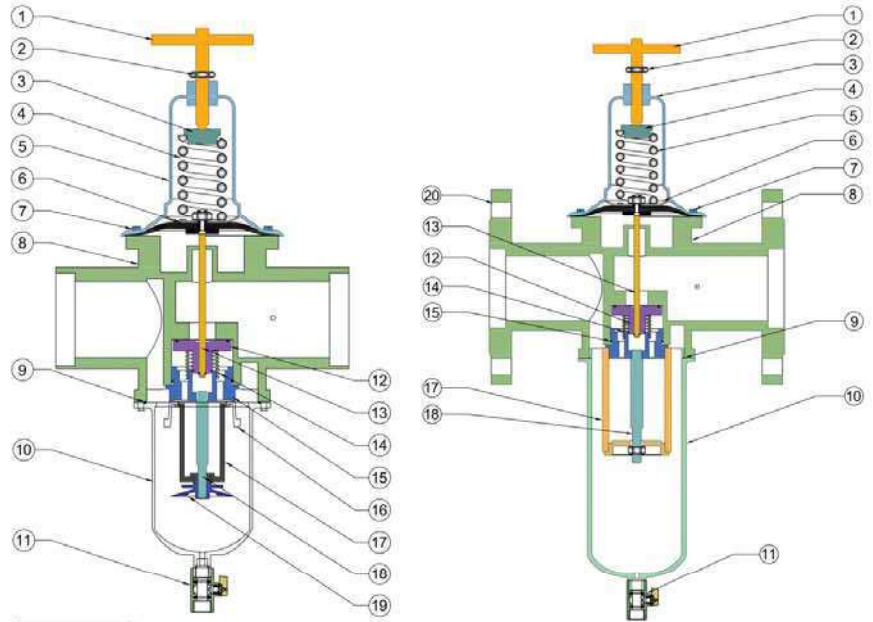


Features

- ▶▶ High Flow Design
- ▶▶ Heavy Duty & Durable Design
- ▶▶ Comfortable to all industrial use.
- ▶▶ Turn "T" Type Key Clock Wise to Increase Pressure

Technical Specification

Model Screwed	HFS - 40	HFS - 50	----	----	----
Model Flanged	HFC - 40	HFC - 50	HFC - 65	HFC - 80	HFC - 100
Size	1.1/2"	2"	2.1/2"	3"	4"
Pressure	12 Kg/cm ²				
Temperature	50 °C (max.)				
Media	Compressed air				
End Connection	Flanged End 150#				
Weight Kg. (Approx.)	8.325	8.300	----	----	----
Weight Kg. (Approx.) Flanged 150#	12.120	12.900	19.400	20.300	24.600



Dimensions : (All Dimensions are in mm)

SIZE	L	L1	C	CH	ØR/F	ØD	b	PCD	ØJ	N	H
1.1/2"	175	285	253	294	73	125	12.7	98	15.04	4	547
2"	175	285	253	294	92	150	14.3	120.7	19.05	4	547
2.1/2"	----	335	137	290	104.8	180	17.9	139.7	19.05	4	427
3"	----	335	137	290	127	190	19.5	152.4	19.05	4	427
4"	----	335	137	290	157.2	230	24.3	190.5	19.05	8	427

No.	Part Name	Material
1	Adjusting "T" Stud	Steel Plated
2	Check Nut	Brass
3	Spring Guide	Aluminum
4	Pressure Spring	Spring Steel
5	Bonnet	Steel Fabricated
6	Diaphragm	P.U. with Brass Mould
7	Fastener	S. Steel
8	Body	I. C. WCB
9	Gasket	NBR
10	Bowl	Steel Fabricated
11	Manual Drain Valve	Brass
12	Plunger	Alu. / Brass with NBR
13	Plunger Pin	Brass
14	Plunger Spring	S. S. 304
15	Bottom	Aluminum
16	Deflector	Nylon
17	Filter Element	25 Micron
18	Stud	Steel Fabricated
19	Baffle	Nylon
20	Flange	C. S. Fabricated